

Position	Amount	Type number	Description	PG
1	1	1392207038	FRONT PANEL BL 2,00X607X690	40
2	1	1392207127	REAR PANEL BL 2X607X690	40
3	1	1392207020	SIDE PANEL BL 2,00X607X670	38
5	1	1381214121	DUST EXTRACTION PORT	20
6	1	1482216753	HOSE CARRIER BL 2,5X107X193,5	25
20	1	6103015675	Hex head screw	10
21	2	6209114230	Flange nut	10
22	1	6304084047	Serrated lock washer	10
23	1	7057111385	ADJUSTING FOOT RD 50 / M 10X35 SCHWARZ	21
24	1	141150050	Washer	10
25	1	141130130	Hexagonal nut	12
26	1	6110000594	CUP SQUARE NECK SCREW	10
28	1	7811036697	HOSE CLAMP RD 90-110 / 12 SKZ	15
40	1	1010728408	SUCTION HOS 2800 MM PKF255V8	35
41	1	7854126290	SPIRAL HOSE RD 100X1000 M. KUNSTSTOFFSPI	28
51	1	8214007291	CONNECTOR, RUBBER JACKE 230V VDE-GEPRÜFT	25
52	1	1009621039	CABLE, RUBBER JACKET, WITH PLU A=GB B=SC	32
98	1	1388680470	SLIDING HANDLE RED	31
102	2	141114030	Cap screw	10
103	1	7053016795	Cup spring	10
104	5	6202002305	HEXAGON NUT, PREV. TORQUE TYPE	10
105	1	1380207482	Locking element,A	17
108	1	1492200723	TOOTHED PLATE	23
109	1	6621009530	BLIND RIVET, MUSHROOM HEAD 6X8 F FLACHRU	10
110	1	1382217051	REAR PANEL BL 2X415X690	40
111	1	1392200211	SIDE PANEL	33
112	3	141131010	Hexagonal nut	10
114	1	141113330	Hexagon head screw	12
115	1	1380207474	Locking element,B	17
116	1	1393200746	Rack	27
117	1	1495207516	Feed rod	19
118	1	6300087696	MEDIUM WASHER	10
119	1	1391200390	Selector wheel	18
120	1	6300016713	Washer	10
121	1	6205032396	HEXAGON THIN NUT	10
122	2	141151340	Washer	10
123	1	7006028653	RATCHET LOCK LEVER, FEMALE	19
124	1	6621010407	BLIND RIVET, MUSHROOM HEAD	10
126	1	1482685826	TOOTHED PLATE	27
129	1	6172016683	Fillister head screw	10
130	1	1141200468	ARBOR TILT SCALE 1,00 45-0 GRAD	20

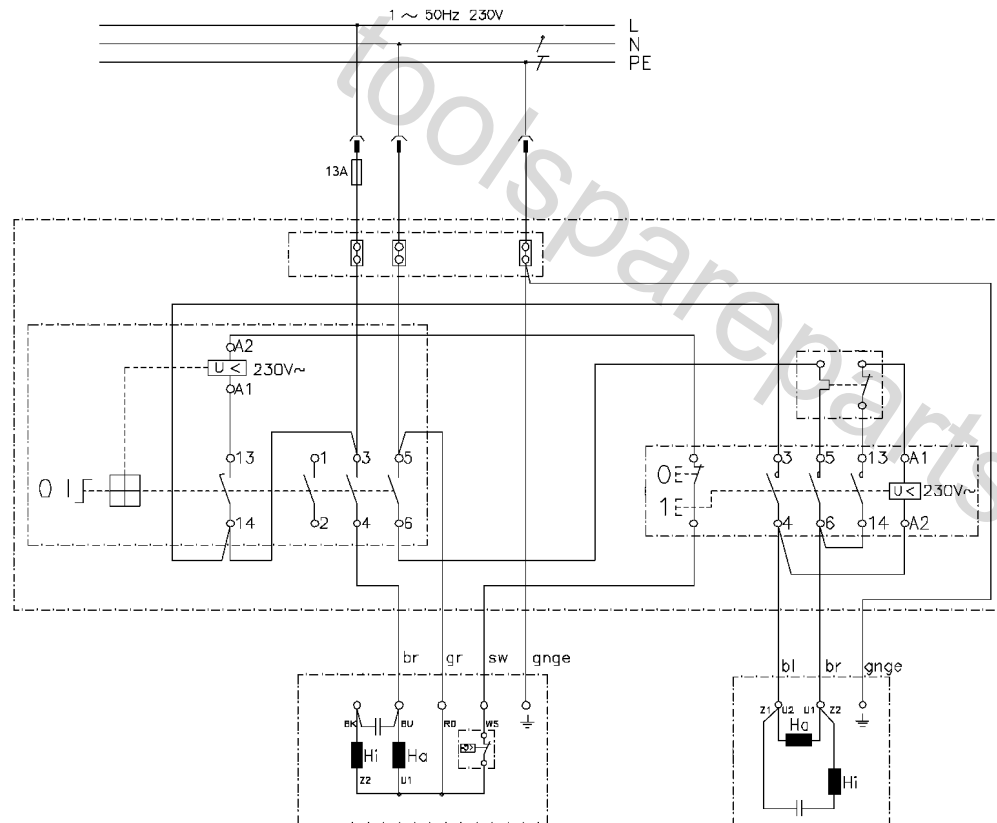
134	1	6304001745	Serrated lock washer	10
135	1	6103001178	Hex head screw	10
139	1	1382217027	SWITCH PLATE BL 2,99X84X240,18	26
140	1	8132719650	SWITCH SSK UC230V K3000/NKA6/2XKA6/PKR	62
142	1	1382217043	SIDE PANEL BL 2X288X670 LINKS	36
143	1	8242680333	Cable clip	12
144	1	1382217060	FRONT PANEL BL 2X415X690	41
145	1	6202002291	HEXAGON NUT, PREV. TORQUE TYPE	10
146	1	6110000594	CUP SQUARE NECK SCREW	10
147	1	6720008538	WOODRUFF KEY	10
148	1	6442200309	SPACER SLEEVE	13
149	1	6300019984	Washer	10
150	1	7003087322	HANDWHEEL	29
151	3	6300016705	Washer	10
152	1	6201074264	CAP NU	13
153	1	7004076740	CRANK HANDLE RD 21X50/ M 6X13 DREHBAR	20
154	1	141130100	Hexagonal nut	10
157	1	6172032905	CROSS REC'D PAN HEAD TAP.SCREW ST 3,5X16	10
158	1	1482214718	BEVEL TILT INDICATOR	12
159	1	1482214700	BEVEL TILT INDICATOR BRACKET	12
160	1	1382214699	PUSH STICK SHEATH	24
161	1	6264166657	CAGE NUT	10
162	1	1382217035	COVER PLATE BL 2,00X210X673	27
163	1	8240015090	STRAIN RELIEF ZEV 9-12/PG 11	14
164	1	1382214737	BRACKET	22
165	1	1382214745	GUARD PLATE	32
166	1	6143036802	HEXAGON HEAD SCREW M 5X10 VERZ.	10
167	1	6103001135	Hex head screw	10
168	1	6172015687	CROSS REC'D PAN HEAD TAP.SCREW	10
170	1	1380214985	EXTRUSION BRACKET	28
171	1	1380214977	EXTRUSION BRACKET HINTEN	28
172	1	1485221006	SET SCREW M 6 X 55	18
173	1	1482214963	FASTENING STRAP FL 8X30X93	22
174	1	141114000	Cap screw	12
175	1	1485211558	SPACING BOLT SW 13X64	15
180	1	1010723589	TABLE ZUSATZTISCH-PKF255	48
181	1	1382723313	Support,TVL	32
199	1	6306028055	SHIM RING	10
200	1	1485211825	HEXAGON NUT M 20X1,5 LH	19
201	2	1485727120	Two-way flange	27
203	2	1395200611	BEARING BOLT	14
204	1	6400087588	RETAINING RING FOR SHAFTS	13

205	1	1392200343	PILOT LINK PLATE	12
206	1	7140006941	BALL BEARING SHIM RING	14
207	1	1392207151	RIVING KNIFE CARRIER PLATE	23
208	2	141151940	Washer	10
209	1	2390200199	SWIVEL SEGMENT, PAIR	26
210	1	6103005270	HEXAGON HEAD SCREW M 10X20 VERZ.	10
211	1	6304084047	Serrated lock washer	10
213	1	2390200202	TABLE SECTION	26
214	1	1392200289	BEARING PLATE	12
215	1	7100136915	DEEP GROOVE BALL BEARING	19
216	1	1393207503	SETTING TUBE	26
217	1	141116250	Hexagon head screw	10
218	1	1495024381	FEED SPINDLE RD 16X565	32
219	1	6503001711	CLAMPING SLEEVE	10
220	1	1385213669	SAW BLADE SPINDLE	37
221	1	1390200753	Gear housing	42
222	1	7100016812	DEEP GROOVE BALL BEARING	23
223	1	6205052753	HEXAGON THIN NUT	12
224	1	1395200050	POLY-RIB PULLEY	27
225	1	7233087313	POLY-RIB BELT	29
226	1	6401121364	Retaining ring shaft	10
227	1	7100016995	DEEP GROOVE BALL BEARING	22
228	1	316051570	Screw compl.	11
229	1	1392200360	CAM PLATE	17
230	1	1485727112	BLADE COLLAR	27
231	1	1395200980	POLY-RIB PULLEY	30
232	1	6121023081	Cap screw	10
233	1	6721059322	Parallel key	10
234	1	8012688459	ELECTRIC MOTOR $\mu$	60
235	1	6200017992	HEXAGON NUT	10
236	1	1395200271	PULL BOLT	21
237	1	6202024139	HEXAGON NUT, PREV. TORQUE TYPE	10
238	1	6202002313	HEXAGON NUT, PREV. TORQUE TYPE	10
239	1	6110029436	Truss head screw	10
240	1	1010214218	CHIP CASE PK MIT VORRITZER	47
241	1	7051207240	PRESSURE SPRING	10
242	1	1482111056	GUIDE BRACKET	15
243	1	7053075104	CUP SPRING	10
244	1	1392200084	COVER PLATE	17
245	1	6110000691	CUP SQUARE NECK SCREW	12
247	1	2380075353	riving knife carrier	21
248	1	1392200122	Riving knife	24



249	1	1382213749	PRESSURE PLATE BL 2,99X80X60	12
250	1	6209002432	FLANGE NUT	13
251	1	1382213803	CHIP CASE COVER BL 1,5X318X637	32
252	1	1392200386	HOOK	12
253	1	6103015675	Hex head screw	10
254	1	1391200501	DUST EXTRACTION PORT	22
255	1	141150130	Washer	10
260	1	1495204347	AXLE RD 60X47	30
261	1	7053063343	CUP SPRING	10
262	1	1495204371	BUSHING RD 18X9	20
263	1	1485214026	BLADE COLLAR SW 41X27,5	31
264	1	7100063675	DEEP GROOVE BALL BEARING 9X24X7 609 -2RS	21
265	1	141181010	Retaining ring	10
266	1	0910052489	Saw BLADE TCT 90X3,2/4,0/2,0X30 NL Z=10	
267	1	1495204363	BLADE COLLAR, OUTER RD 50X10	27
268	1	1388719547	SETTING KNOB RD 62 MIT NUT 2MM	16
269	1	1395204390	THREADED RO RD 10X323 M8/M10	31
270	1	1495204339	PRESSURE PLATE RD 57X20	33
271	1	7053081619	CUP SPRING	10
273	1	7233172221	POLY-RIB BELT 3 PJ 356	20
274	1	141118780	Countersunk screw	10
275	1	1485214166	WASHER RDA 15,5 RDI 4,5X3,5	12
276	1	1385214150	POLY-RIB PULLEY 3JX75 / RDA 75X28 RDI 11	33
277	1	7051214204	TENSION SPRING RDI 12X107,5X2	16
278	1	6132175169	Countersunk screw	10
279	1	1482214149	MOTOR PLATE BL 2,99X90X131,6	30
280	1	8012214260	ELECTRIC MOTOR PKR V8 1X230V 50 HZ 2800U	58
281	1	1382214290	SCHUTZBLECH SPANHAUBE	
282	1	6123002030	RAISED CHEESE HEAD SCREW M 4X45 VERZ.	10
283	1	141130930	Hexagonal lock nut	10
288	1	1010722000	FAN WING+FAN COVER TKHS 315 D&D ET	20
289	1	6103001267	Hex head screw	12
291	1	8050011810	Condenser	27
292	1	1332025186	CAPACITOR CLAMP BL 0,88X35X178,5 RDI 44	15
294	1	1010726545	TERMINAL BOX ASSEMBLY 2,5 - 3,1 KW D&D	24
300	1	1383211529	TABLE END EXTRUSION II 405,5 MM	25
301	1	7006072385	Clamping lever	18
302	1	1485723702	FEED ROD RD 5,2X994 /M6X10/30 PKF	18
303	1	1383723740	TABLE SUPPORT EXTRUSION 790 MM TISCH-PKF	51
304	1	1383723430	TABLE EXTRUSION TISCH-PK255/PKF	37
305	1	1383217101	TABLE GUIDE EXTRUSION 405,5 MM	31
306	1	1383214447	AUXILIARY FENCE EXTRUSION 700 MM	32

307	1	1482214548	GLIDE RAIL FL 16X5X230 PARALLELANSCHLAG	20
308	1	1394201630	Push stick	19
309	1	1380220683	CLAMPING PAD	36
310	1	1380222031	LOCK PLATE	21
311	1	6174155800	Self-tapp. counters. screw	10
312	1	1380211480	END PIECE, FRONT	14
313	1	1383723716	FENCE CARRIER EXTRUSION 966 MM PKF	39
314	1	6442025779	SPACER SLEEVE RD 15/6X18	10
315	1	6150190299	THUMB SCREW M 6X68	13
316	1	141131020	Square nut	12
317	1	6131009460	CROSS RECESSED FLAT HEAD SCREW	10
318	1	6163198736	HEX. SOCKET SET SCREW, DOG PT.	15
319	1	1142217070	SCALE 0,50X9,3X401 0,00-39,80 CM	20
320	1	1380211498	CLAMPING PIECE	20
321	1	6172091014	Fillister head screw	10
323	1	6144063978	HEX.HEAD COLLAR DRILLING SCREW	10
339	1	6172001791	Fillister head screw w. cross head	10
340	1	141150010	Washer	10
350	1	6720151241	WOODRUFF KEY 2X3,7	10
351	1	1010699122	DISC GUARD VORRITZEINR.PKU250	22
352	1	1010698410	SAW BLADE GUARD ASSEMBLY (SCHWARZ)PKU25	30
353	1	1381727099	ADAPTOR, SUCTION PORT M.BAJONETTANSCHLU	27
354	1	1382727211	END PLAT BL 2,00X72X343 TVL-PKF	25
360	1	1010723481	TABLE PKF255	61



	Litzenfarben	Colour of strands	Couleur des cordons
BK	schwarz	black	noir
WH	weiß	white	blanc
BU	blau	blue	bleu
YE	gelb	yellow	jaune
RD	rot	red	rouge
TR	transparent	transparent	transparent
BN	braun	brown	brun
GY	grau	grey	gris
GNYE	grün-gelb	green-yellow	vert-jaune
BKWH	schwarz-weiß	black-white	noir-blanc
GN	grün	green	vert
OG	orange	orange	orange
VT	violett	violet	violet
TQ	türkis	turquoise	turquoise

	Bedeutung der Kurzzeichen	Meaning of the symbols	Interprétation des symboles
B	Stecker	plug	fiche
C	Kondensator	condenser	condensateur
D	Funkentstördrossel	interference suppression inductance	inductance d'antiparasitage
E	Elektronik-Baustein	electronic unit	unité électronique
I	Induktionsspule	induction coil	bobine d'inductance
K	Klemme	terminal	borne
L	Licht	light	lumière
M	Motor	motor	moteur
O	Überlastschutz	overload cut-out	déclencheur de surintensité
R	Drehrichtungsumschalter	reversing switch	commutateur droite-gauche
S	Schalter	switch	interrupteur
U	Umschalter	change-over switch	commutateur
X	Elektronik-Element	electronic element	élément électronique